



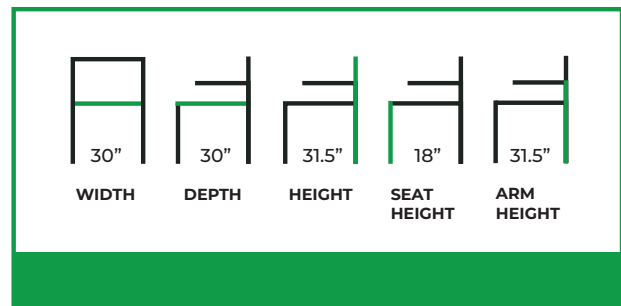
WALLIS LOUNGE CHAIR

COLLECTION: Lounge Chairs

LS-920LC

The Wallis Lounge Chair combines sculptural comfort with striking architectural detailing. A gently curved upholstered back and arms create a soft, enveloping form, while the generously cushioned seat and loose back pillow provide a relaxed and supportive seating experience. The smooth upholstered surfaces contrast elegantly with the open structure beneath the arms, where evenly spaced vertical wood slats introduce rhythm, texture, and visual depth to the design.

Framed by a solid wood base with tapered legs, the Wallis Lounge Chair balances its plush upholstered elements with a strong structural presence. The exposed slatted sides wrap gracefully around the chair, giving it a distinctive profile from every angle while maintaining an airy, refined appearance.



KEY FEATURES:

- ◇ **Commercial-Grade Construction**
Built for durability and daily use in high-traffic hospitality environments
- ◇ **Contract-Grade Foam**
Premium cushioning engineered for long-lasting comfort and shape retention.
- ◇ **Solid Wood Frame**

FRAME: Solid Wood

FINISH OPTIONS: WOOD STAINS

UPHOLSTERY OPTIONS: FABRIC + VINYL

MINIMUM ORDER QUANTITY:

- ◇ Standard: 4 units

COM REQUIREMENTS: 5 yards

